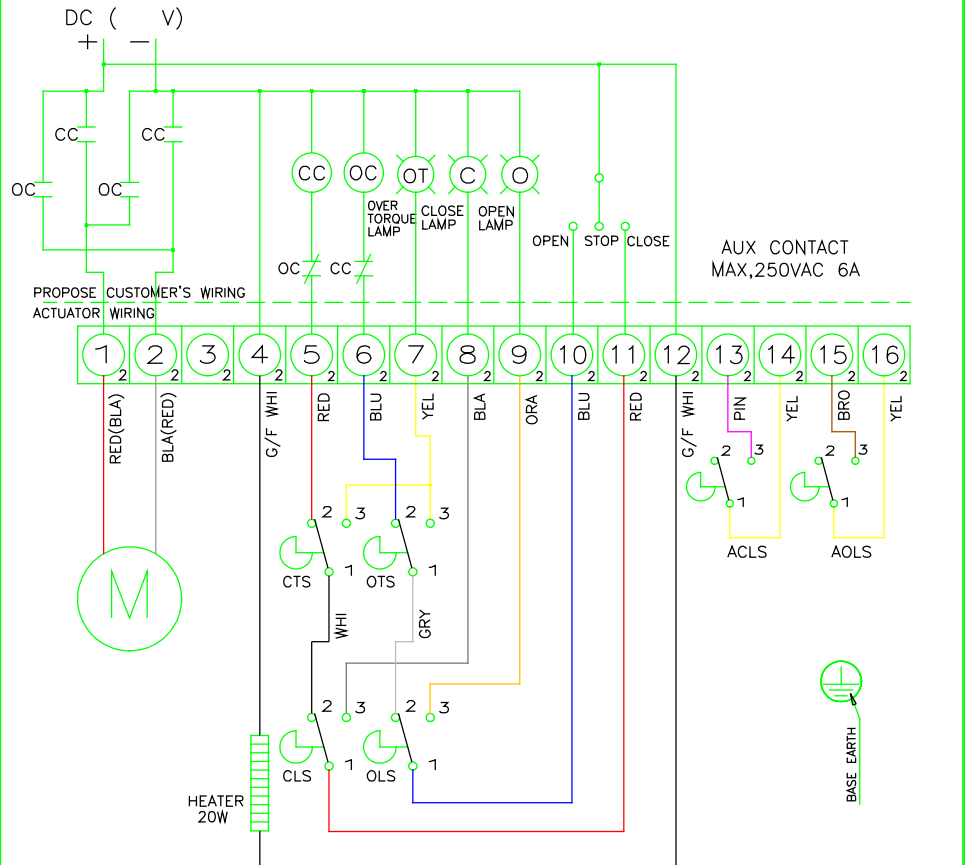


CLS : CLOSE LIMIT SWITCH (250VAC 6A)
 OLS : OPEN LIMIT SWITCH (250VAC 6A)
 CTS : CLOSE TORQUE SWITCH (250VAC 6A)
 OTS : OPEN TORQUE SWITCH (250VAC 6A)
 ACLS : AUX. CLOSE LIMIT SWITCH (250VAC 6A)
 AOLS : AUX.OPEN LIMIT SWITCH (250VAC 6A)

	CLOSE	OPEN
CLS 1-2		
CLS 1-3		
OLS 1-2		
OLS 1-3		
ACLS 1-2		
ACLS 1-3		
AOLS 1-2		
AOLS 1-3		
CTS 1-3	* CLOSING TORQUE SWITCH INTERRUPTS CONTROL IF MECHANICAL OVERLOAD OCCURS DURING CLOSING CYCLE	
OTS 1-3	* OPENING TORQUE SWITCH INTERRUPTS CONTROL IF MACHANICAL OVERLOAD OCCURS DURING OPENING CYCLE	



			△					
			SYM	E C N NO	CHANGES	DATE	SIGN	APPD
A028	1		DRAW	H,J KWON	PART NAME DC24V WIRING DIAGRAM ALS			
A019	1		CHECK					
A015	1		APPD					
APPLICATION			DATE	'02.04.01	DWG NO.	NS-82000-C		